

# Directional seated valve bank type VB

The valve bank type VB consists of a connection block (with ports P and R), the directional seated valves (acc. to D 7300) installed on sub-plates and connected in parallel plus the end plate. The whole valve bank is held together with one or two tension rods.

Depending on the type of sub-plate differing flow pattern of the valves mounted on them are possible as well as optional functions e.g. pressure switches for the consumer port may be incorporated in these sub-plates. These valve banks may be either directly connected to a pipe system via the connection block or installed directly onto hydraulic power packs (type HK, HC, MP, FP, and R) utilizing an adapter plate.

Various end plates featuring e.g. pressure switch for gallery P or accumulator drain valve widen the field of application for this valve banks.

All this, together with our hydraulic power packs enables hydraulic control systems for high pressure applications with low spatial requirements.



**Nomenclature:** Directional seated valve, zero leakage

**Design:** Valve bank  
 • For pipe connection  
 • Combination with hydraulic power packs

**Actuation:** Solenoid  
 Pressure  
 • Hydraulic  
 • Pneumatic  
 Manual  
 • Hand lever  
 • Turn knob

$P_{max}$ : 500 ... 700 bar

$Q_{max}$ : 6 ... 120 lpm

## Basic types and general parameters

Basic type and size	Flow $Q_{max}$ (lpm)	Oper. pressure $p_{max}$ (bar) with actuation			Tapped ports (BSPP) P, R, A, B
		Solenoid actuated M	Pressure actuated H P	Manually actuated F D	
VB 01	6	300 ... 500	500	350 ... 500	G 1/4
VB 11	12	350 ... 500(700)	500 ... 700	400 ... 700	G 1/4 and G 3/8
VB 21, 22	25	350 ... 500(700)	500	400 ... 500	G 3/8 and G 1/2
VB 31	65	350 ... 400	400	---	G 1/2 and G 3/4
VB 41	120	350	---	---	G 3/4 and G 1

## Order coding example

VB11	F	M	- DCNR5	- 1	- WG230
			Solenoid voltage	Port size, here G 1/4 (BSPP)	
			Valve section		
			Actuation		
			Connection block / adapter		
			Plate, basic type and size		

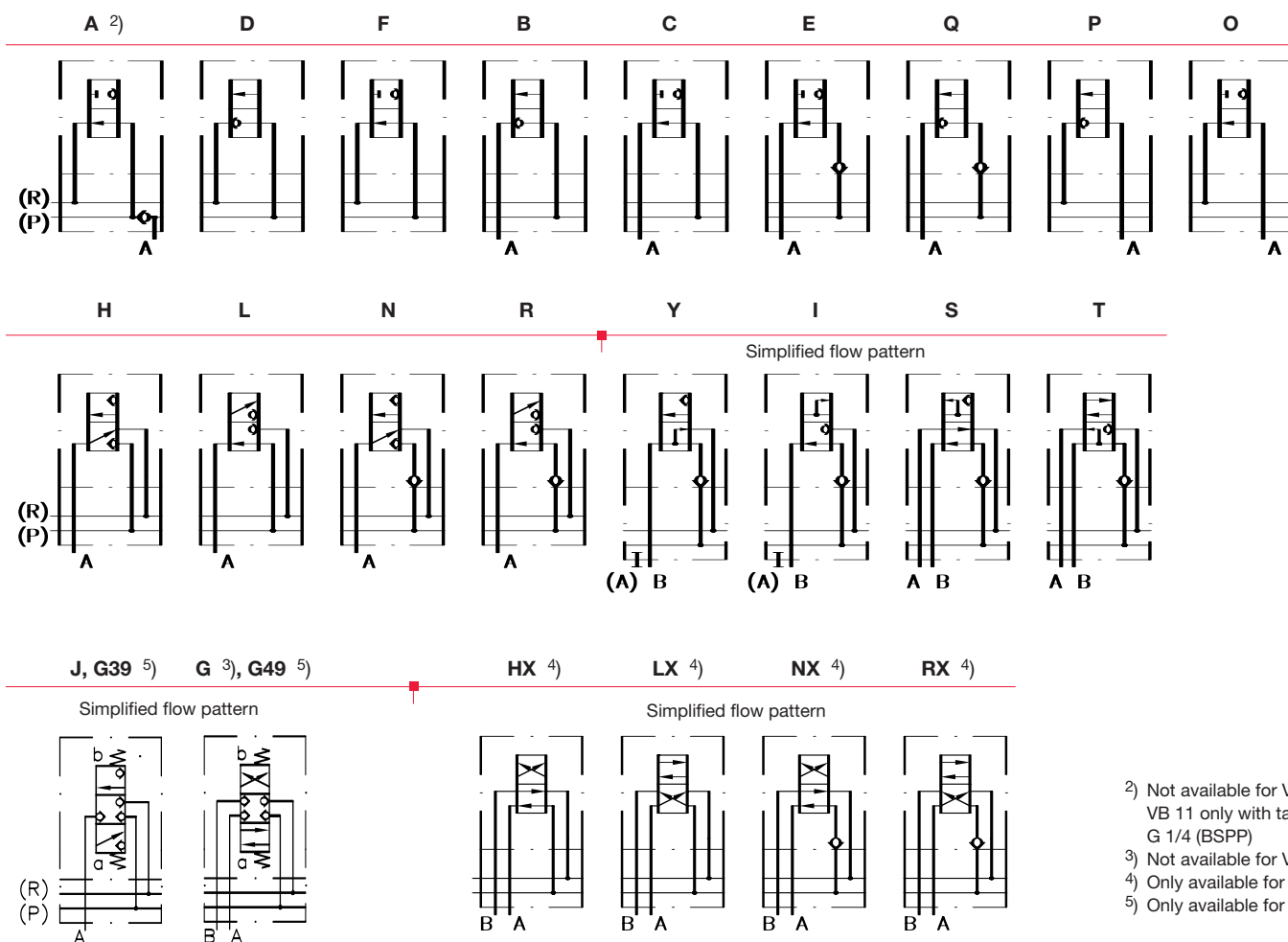
## Connection blocks / adapter plates

Basic type	Brief description	Symbol
A -1/..	For pipe connection, with tool adjustable pressure limiting valve (/..- pressure specification in bar)	
C, D, E	For mounting onto hydraulic power packs type R, Z and RZ, depending on tank and size <sup>1)</sup>	
F, G	For mounting onto hydraulic power packs type HK, HC, MP, FP) (also in combination with two stage valve type NE) <sup>1)</sup>	

<sup>1)</sup> See also "Additional information"

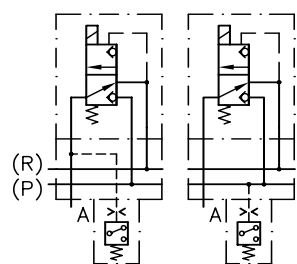
**Symbols (valve section)**

max. 12 valve sections may be combined in a valve bank (depending on size), actuation symbol to be added



**Options for the valve section (only for type VB01 and VB11)**

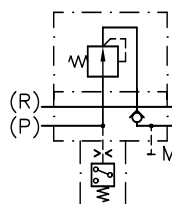
Pressure switches in gallery P or the consumer port



Example: ... **H5** ...  
 Flow pattern H with DG 35  
 in the consumer port

Example: ... **H8** ...  
 Flow pattern H with DG 35  
 in the gallery P

Pressure reducing valve, reducing the pressure in the subsequent P gallery



Example: ... - **CZ1/200/5R/3** - ...  
 2-way pressure reducing valve type  
 CDK 3, factory set to 200 bar, with check  
 valve and pressure switch type DG 33 in  
 the gallery P <sup>6)</sup>

The pressure switches type DG 3.. are directly mounted at the sub-plate <sup>6)</sup>

<sup>6)</sup> See also "Additional information"

**Additional versions (valve section)**

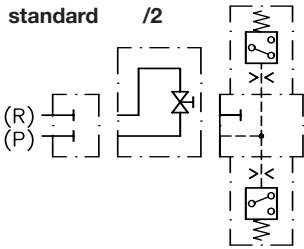
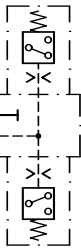
- Individual valve with orifice in the gallery P and/or return pressure stop in the return gallery
- Sub-plate with 2-way flow control valve, by-passing to the tank (only with type VB 31)
- Sub-plate with pressure switch (only with type VB 01, VB 11, VB 22)
- Sub-plate with pressure limiting valve and throttle (only with type VB 21, VB 31)
- Sub-plate with idle circulation and/or shuttle valve for type VB 22
- Intermediate plate for VB 22 (series connection) with pressure reduction in gallery P or throttle valve in port A

**Solenoid voltage**

- 12V DC, 24V DC, 230V AC 50/60 Hz
- Other voltage on request
- Plug with LED, improving EMC, or with economy circuit <sup>8)</sup>

- Other actuations (pressure and mechanical) analogous to “Directional seated valves with various actuations” (see also section “Additional information”)

**End plates**

Basic type	Brief description	Symbol
without coding	Standard end plate	/3 ... /65
/2 <sup>7)</sup>	End plate with accumulator drain valve	
/3 ... /65 <sup>7)</sup>	End plates with one or two pressure switches type DG 3.. <sup>8)</sup>	

**Additional versions (end plates)**

- End plates with accumulator drain valve and pressure switches type DG 3.. <sup>8)</sup>

<sup>7)</sup> Only with type VB01 and VB11  
<sup>8)</sup> See also “Additional information”

**Order examples**

**VB01FM-E H3 G33/3 - 1 - G24**

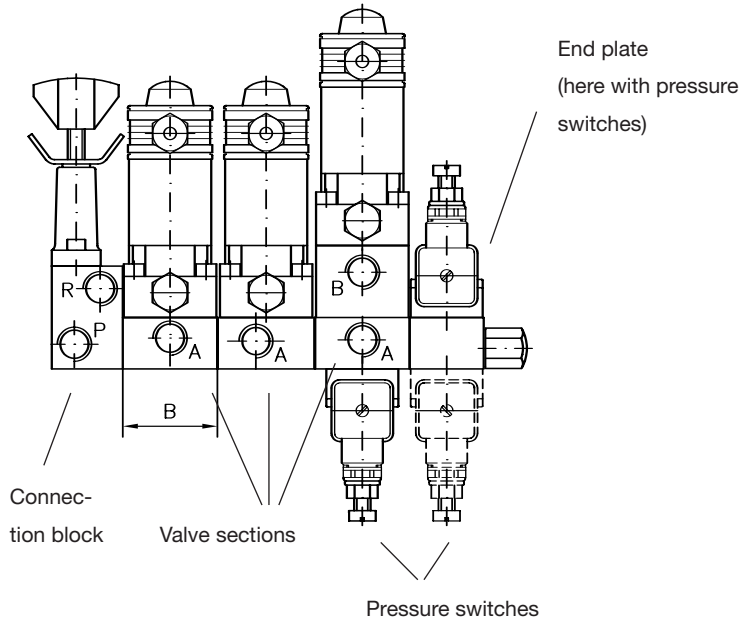
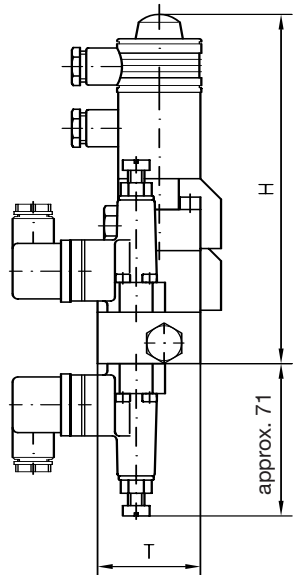
Valve bank type VB 01, size 0 with connection block for direct mounting onto hydraulic power packs, flow pattern E, H, G (G with pressure switches DG 33 in the consumer ports A and B), end plate /3 (with DG 33), tapped ports G 1/4 (BSPP) (coding 1) and solenoid voltage 24V DC

**VB 11AM - 2/420 - R H S3/3 - 1 - WG230**

Valve bank type VB 11, size 1 with connection block for pipe connection and integrated, manually adjustable pressure limiting valve (factory set to 420 bar), flow pattern D, H, S and end plate with one pressure switch DG 33, tapped ports G 1/4 (BSPP) (coding 1), solenoid voltage 230V AC 50/60 Hz

**Dimensions**

(acc. to the order example on the right side)



Basic type	H	B	T	m (kg)
per indiv. section				
VB 01	110 ... 135	38	40	0.6 ... 1.25
VB 11	139 ... 174	46	50	1.1 ... 2.3
VB 21, 22	180 ... 220, 172 ... 221	58, 58	63, 70	2.0 ... 4.6, 2.2 ... 4.8
VB 31	202 ... 252	72	80	4.5 ... 9.1
VB 41	265 ... 312	82	100	8.9 ... 14

All dimensions are in mm, subject to change without notice!

**Example circuit**

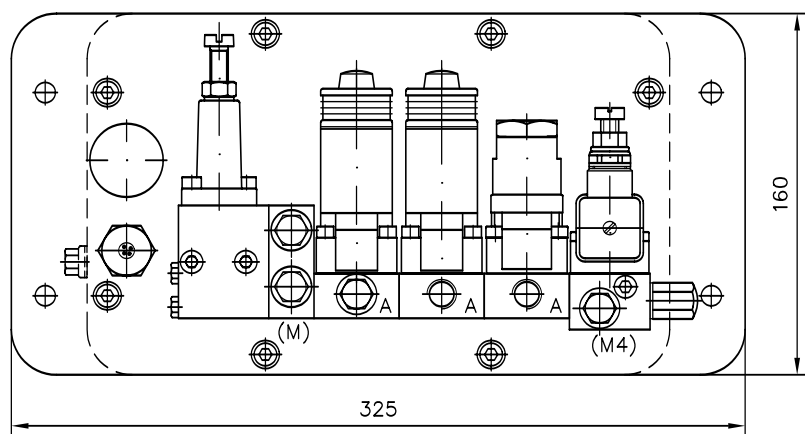
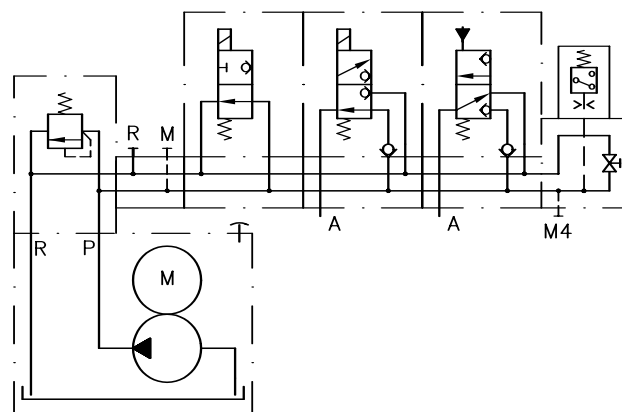
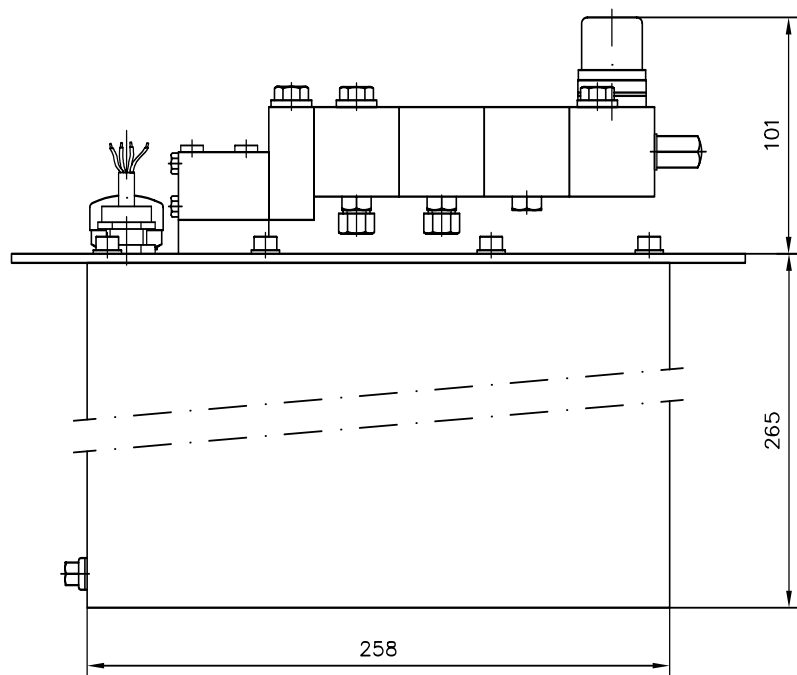
**MP 24 - H1,39/B5 - A1/300 - VB01 FMH - FR/N/32 - 1 - WG230**

Hydraulic power pack type MP size 2, connection block with pressure limiting valve (tool adjustable)

Valve bank type VB size 0 with three valve sections (different actuations for the directional valves, here M (solenoid) and H (hydraulic)) and end plate here 32 with pressure switch and drain valve

**Main parameter of the example circuit**

- $P_{system}$  = 300 bar  
(set pressure of the pressure limiting valve)
- $Q_{pu}$  = approx. 1.39 lpm at 1450 rpm
- $P_{max pu}$  = 400 bar
- Tank  $V_{usable}$  = approx. 6 l
- $V_{total}$  = approx. 7.7 l



- R = Return port
- M, M4 = Pressure pick-up for e.g. pressure gauge or pressure switch
- A = Consumer port

**Additional information**

- Directional seated valves with various actuations D 7300
  - Valve banks type VB D 7302
  - Compact hydraulic power packs
    - type MP, MPN, MPNW, MPW D 7200, D 7200 H, D 7207
    - type HC, HCW, HCG D 7900, D 7900 G
    - type HK, HKF, HKL D 7600 ++
    - type FP D 7310
  - Hydraulic power packs type R D 6010, D 6010 H
  - type RZ D 6910, D 6910 H
  - type Z D 6820
- Connection blocks type A D 6905 A/1
  - Two-stage valves type NE D 7161
  - Plug with LED etc. D 7163
  - Plug with economy circuit D 7813
  - Pressure switches type DG3.., DG5E D 5440, D 5440 E/1
  - Pressure reducing valves type CDK D 7445
  - See also section "Devices for special applications" (Devices for up to 700 bar)
  - See also "Turn-key solutions out of the modular system"

For page and section of the devices additionally listed, see type index